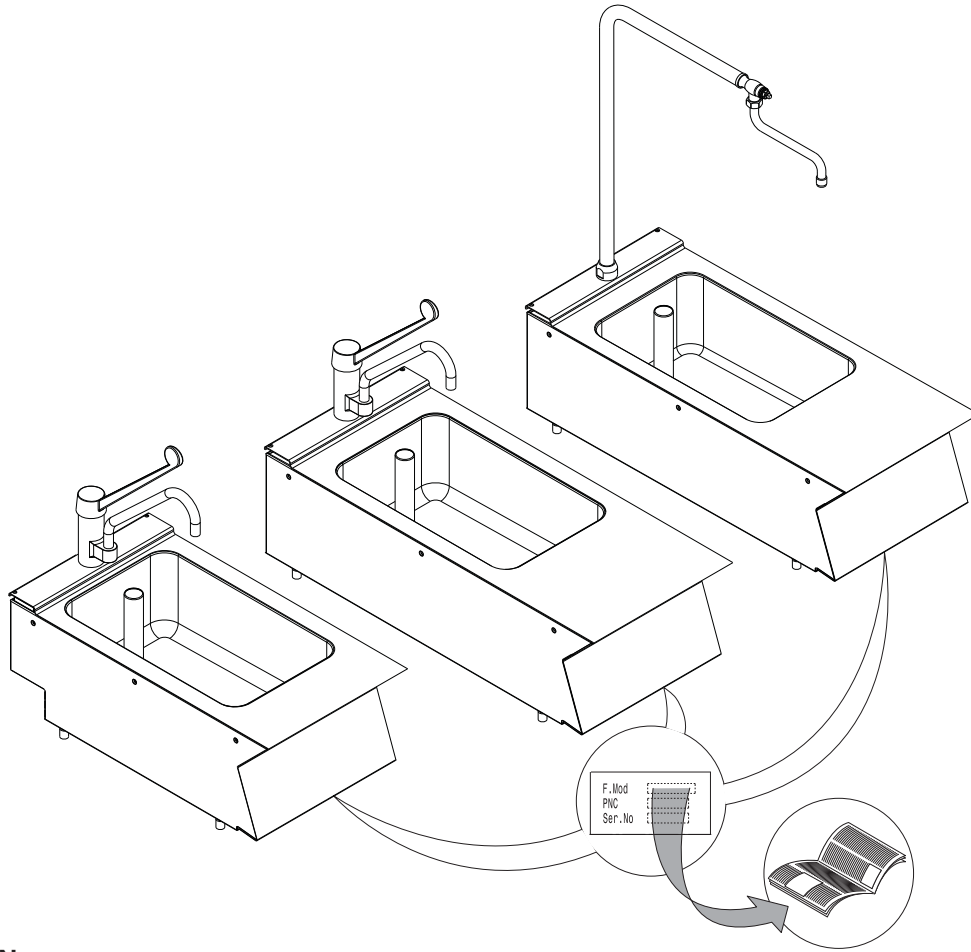


CONTENTS

I. IMAGES	2
II. DATA PLATE.....	12
III. TAP INSTALLATION.....	12
IV. TRAP ASSEMBLY DIAGRAM	13
V. GENERAL INSTRUCTIONS.....	14
VI. THE ENVIRONMENT.....	16
1. PACKING.....	16
2. CLEANING.....	16
3. DISPOSAL	16
VII. INSTALLATION.....	16
1. REFERENCE STANDARDS.....	16
2. UNPACKING.....	16
3. POSITIONING.....	17
4. CONNECTIONS.....	17
5. BEFORE COMPLETING THE INSTALLATION OPERATIONS.....	17
VIII. CLEANING AND MAINTENANCE	18
1. EXTERNAL PARTS.....	18
2. OTHER SURFACES.....	18
3. SCALE	18
4. IDLE PERIODS	18
5. INTERNAL PARTS	18
6. MAINTENANCE	18

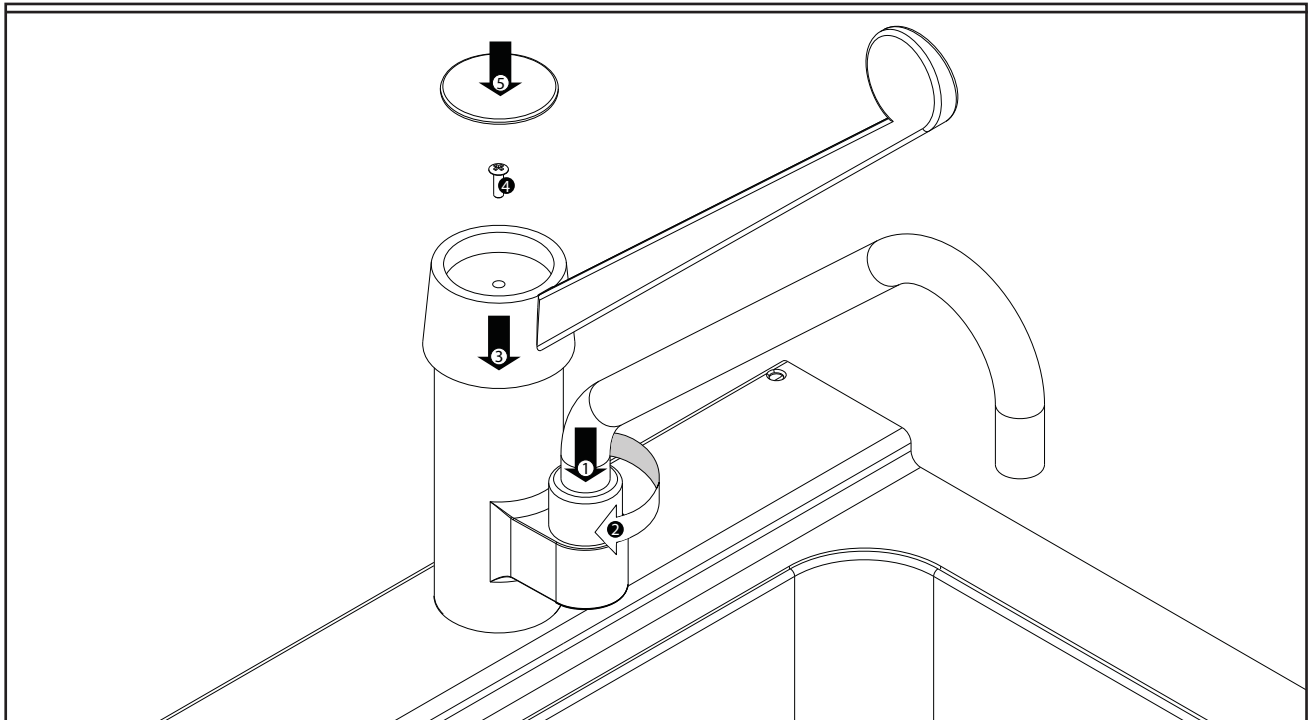
II. DATA PLATE



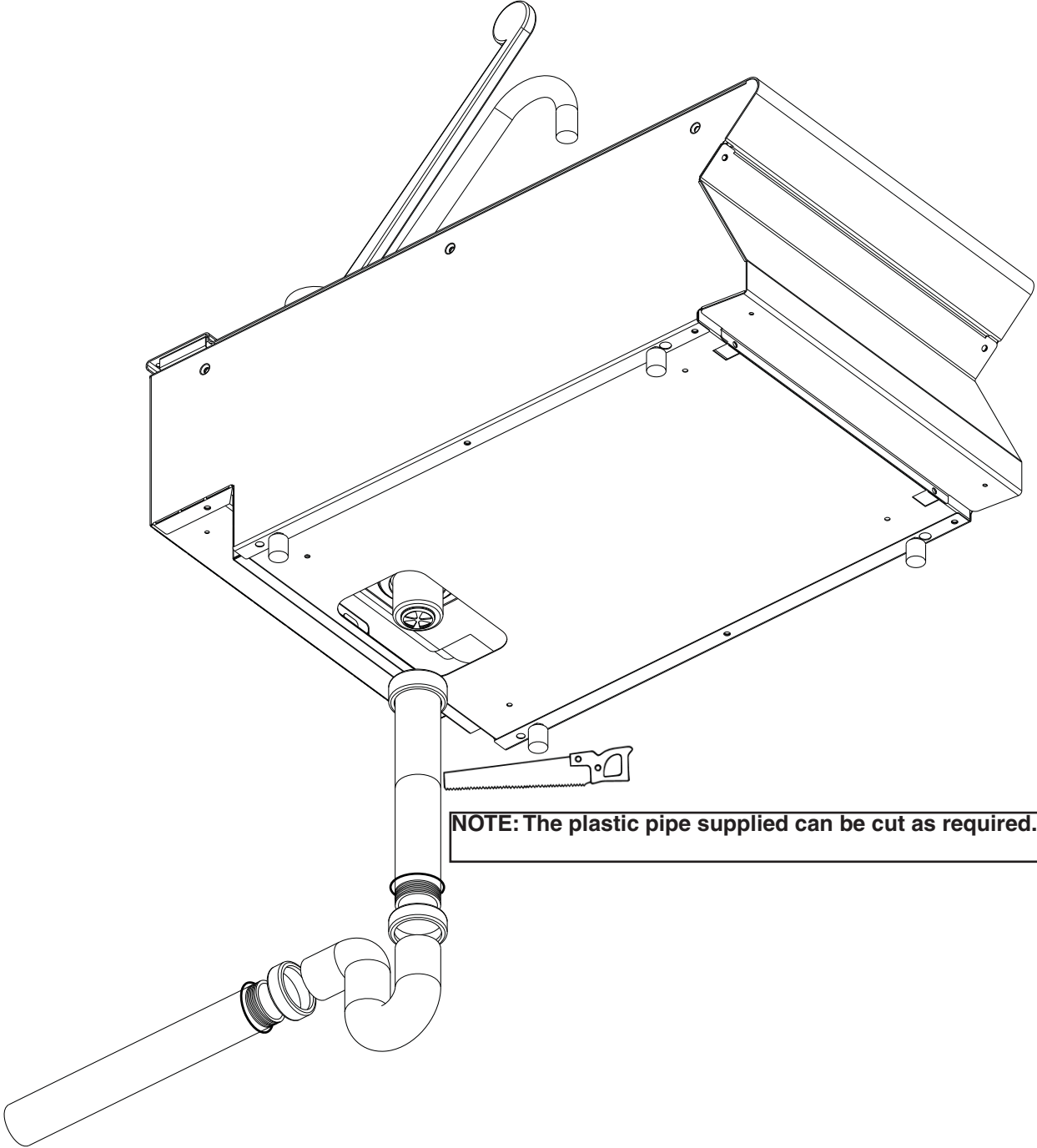
ATTENTION

This handbook contains instructions relevant to various appliances. See the data plate located under the control panel to identify the appliance (see fig. above).

III. TAP INSTALLATION



IV. TRAP ASSEMBLY DIAGRAM



V. GENERAL INSTRUCTIONS

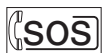
- Carefully read the instruction handbook before using the appliance.
- After installation keep the instruction handbook for future consultation.





- **FIRE HAZARD** - Keep the area around the appliance clear and free from combustible materials. Do not keep flammable materials in the vicinity of the appliance.



- Install the appliance in a well-ventilated place to avoid the creation of dangerous mixtures of unburnt gases in the same room
- Air recirculation must take into account the air necessary for combustion, 2 m³/h/kW of gas power, and also the “well-being” of persons working in the kitchen.
- Inadequate ventilation causes asphyxia. Do not obstruct the ventilation system in the place where this appliance is installed. Do not obstruct the vents or ducts of this or other appliances.



- Place emergency telephone numbers in a visible position.
- Installation and maintenance must only be carried out by qualified personnel authorised by the manufacturer. For assistance, contact an authorised technical centre. Demand original spare parts.
- This appliance is designed for cooking food. It is intended for industrial use. Any use different from that indicated is improper.
- This appliance must not be used by minors and adults with limited physical, sensory or mental capabilities or without adequate experience and knowledge regarding its use.
- Personnel using the appliance must be trained and instructed regarding the risks involved.
- Do not leave the appliance unattended when operating.
- Turn the appliance off in case of fault or poor operation.
- Do not use products (even if diluted) containing chlorine (sodium hypochlorite, hydrochloric or muriatic acid, etc.) to clean the appliance or the floor under it. Do not use metal tools to clean steel parts (wire brushes or Scotch Brite type scouring pads).
- Do not store or use gasoline or other flammable vapours, liquids or items in the vicinity of this or any other appliance.
- Do not spray aerosols in the vicinity of this appliance while it is in operation.
- Never check for leaks with an open flame.

- The appliance is not suitable for a marine environment.
- Do not allow oil or grease to come into contact with plastic parts.
- Do not allow dirt, fat, food or other residuals to form deposits on the appliance.
- Do not clean the appliance with direct jets of water.
- Do not spray water or use steam to clean the equipment.
- The weighted sound pressure level emitted A does not exceed 70 dB (A).
- This instruction booklet is available in digital format by contacting the dealer or customer care.
- Install a safety circuit breaker ahead of the appliance. The contact opening distance and max. leakage current must comply with the regulations in force.
- The appliance must be earthed; it must be included in an equipotential node by means of the screw located under the appliance frame at the back right hand side. The screw is marked with the symbol .
- It is advisable to have the appliance inspected by an authorised person at least every 12 months. For this purpose, it is advisable to stipulate a servicing contract.
- The symbol  given on the product indicates that it should not be considered domestic waste, but must be correctly disposed of in order to prevent any negative consequences for the environment and the health of persons. For further information regarding the recycling of this product, contact the product agent or local dealer, the after-sales service or the local body responsible for waste disposal.

Failure to observe the above can compromise the safety of the appliance. Failure to observe the above invalidates the warranty.

VI. THE ENVIRONMENT

1. PACKING



The packing materials are environmentally friendly and can be stored without risk or burned in an appropriate waste incineration plant.

Recyclable plastic components are marked with:



Polyethylene: outer wrapping, instruction booklet bag, gas nozzle bag.



Polypropylene: roof packing panels, straps.



Polystyrene foam: corner protectors.

2. CLEANING

In order to reduce the emission of pollutants into the environment, clean the appliance (externally and when necessary internally) with products that are more than 90% biodegradable (for further information refer to section V "CLEANING").

3. DISPOSAL



Do not disperse in the environment. Our appliances are manufactured using more than 90% (in weight) recyclable metals (stainless steel, iron, aluminium, galvanised sheet, copper, etc.).

Make the appliance unusable by removing the power cable and any compartment or cavity closing devices (when present) in order to avoid the risk of someone becoming trapped inside.

VII. INSTALLATION

- Carefully read the installation and maintenance procedures given in this instruction manual before installing the appliance.



- Installation and maintenance must only be carried out by qualified personnel authorised by the manufacturer.

- Failure to observe the correct installation, conversion and modification procedures can result in damage to the appliance, danger to people, and invalidates the Manufacturer's warranty.

1. REFERENCE STANDARDS

- Install the appliance in accordance with the safety regulations and local laws of the country where used.

2. UNPACKING

ATTENTION!

Immediately check for any damage caused during transport.

- The forwarder is responsible for the safety of the goods during transport and delivery.
- Inspect the packs before and after unloading.
- Make a complaint to the forwarder in case of visible or hidden damage, reporting any damage or shortages on the dispatch note upon delivery.
- The driver must sign the dispatch note: the forwarder can reject any claim if the dispatch note is not signed (the forwarder can provide the necessary form).



- Unpack, taking care not to damage the appliance. Wear protective gloves.
- Carefully remove the protective film from metal surfaces and clean any traces of glue with a suitable solvent.
- For hidden damage or shortages becoming apparent only after unpacking, request the forwarder for inspection of the goods within and not later than 15 days of delivery.
- Keep all the documentation contained in the package.

3. POSITIONING

- Handle the appliance with care in order to avoid damage or danger to people. Use a pallet for handling and positioning.
- The installation diagram gives the appliance dimensions and the position of connections. Check that they are available and ready for making all the necessary connections.
- The appliance can be installed separately or combined with other appliances of the same range.
- Maintain an adequate distance between the appliance and any combustible walls. Do not store or use flammable materials and liquids near the appliance.
- Leave an adequate space between the appliance and any side walls in order to enable subsequent servicing or maintenance operations.
- Check and if necessary level the appliance after positioning. Incorrect levelling can cause appliance malfunctioning.

3.1. COMBINING APPLIANCES

- (Fig.1A) Undo the 4 fixing screws and remove the control panels of the appliances.
- (Fig.1B) Remove the fixing screw nearest the control panel, from each side to be joined.
- (Fig.1D) Bring the appliances together and level them by turning the feet until the tops match.
- (Fig.1C) Turn one of the two plates inside the appliances 180°.
- (Fig.1E) From inside the control panel of the same appliance, join them at the front side, screwing one M5x40 Hex Head screw (supplied) on the opposite insert.

3.2. INSTALLATION ON BRIDGE, CANTILEVER FRAME OR CEMENT PLINTH

Carefully follow the instructions enclosed with the corresponding accessory. Follow the instructions enclosed with the optional product chosen.

3.3. SEALING GAPS BETWEEN APPLIANCES

Follow the instructions enclosed with the optional sealing paste pack.

4. CONNECTIONS



- Any installation work or maintenance to the supply system must only be carried out by the utility company or an authorised installer.
- See the installation diagram for the type and position of appliance connections.

5. BEFORE COMPLETING THE INSTALLATION OPERATIONS

If the appliance does not work properly after carrying out all the checks, contact the local service centre.

VIII. CLEANING

1. EXTERNAL PARTS

SATIN-FINISH STEEL SURFACES (daily)

- Clean all the steel surfaces: dirt is easily removed when it has just formed.
- Remove grime, fat and other cooking residuals from steel surfaces when cool using soapy water, with or without detergent, and a cloth or sponge. Dry the surfaces thoroughly after cleaning.
- In case of encrusted grime, fat or food residuals, go over with a cloth or sponge, wiping in the direction of the satin finish and rinsing often: rubbing in a circular motion combined with the particles of dirt on the cloth/sponge could spoil the steel's satin finish.
- Metal objects can spoil or damage the steel: damaged surfaces become dirty more easily and are more subject to corrosion.
- Restore the satin finish if necessary.

SURFACES BLACKENED BY HEAT (when necessary)

Exposure to high temperatures can cause the formation of dark marks. These do not constitute damage and can be removed by following the instructions given in the previous section.

2. OTHER SURFACES

HEATED TANKS/CONTAINERS (daily)

Clean the appliance tanks or containers using boiled water, adding soda (degreaser) if necessary. Use the accessories (optional or supplied) specified in the list to eliminate encrustations or food deposits.

3. SCALE

STEEL SURFACES (when necessary)

Remove any scale (stains or marks) left by hard water on steel surfaces using suitable detergents; natural (e.g. vinegar) or chemical (e.g. "STRIPAWAY" produced by ECOLAB).

VINEGAR

- Heat for about 5 minutes
- Allow the vinegar to work for at least 20 minutes.
- Rinse with plenty of water.

CHEMICAL DETERGENT

- Heat for about 3 minutes
- Allow the solution to work for at least 10 minutes.
- Rinse with plenty of water.

4. IDLE PERIODS

If the appliance is not going to be used for some time, take the following precautions:

- Close the taps or main switches ahead of the appliances.
- Go over all the stainless steel surfaces vigorously with a rag moistened with paraffin oil in order to create a protective film.
- Periodically air the premises.
- Have the appliance checked before using it again.

5. INTERNAL PARTS (every 6 months)

IMPORTANT! Operations to be carried out only by specialised technicians.

- Check the internal parts.
- Remove any deposits of grime inside the appliance.
- Check and clean the discharge system.

NOTE! In particular ambient conditions (e.g. **intensive** appliance use, salty environment, etc.) it is advisable to carry out the above-mentioned cleaning more often.

6. MAINTENANCE

All components requiring maintenance are accessible from the front of the appliance, after removing the control panel and front panel.

It is advisable to have the appliance inspected by an authorised person at least every 12 months. For this purpose, it is advisable to stipulate a servicing contract.